

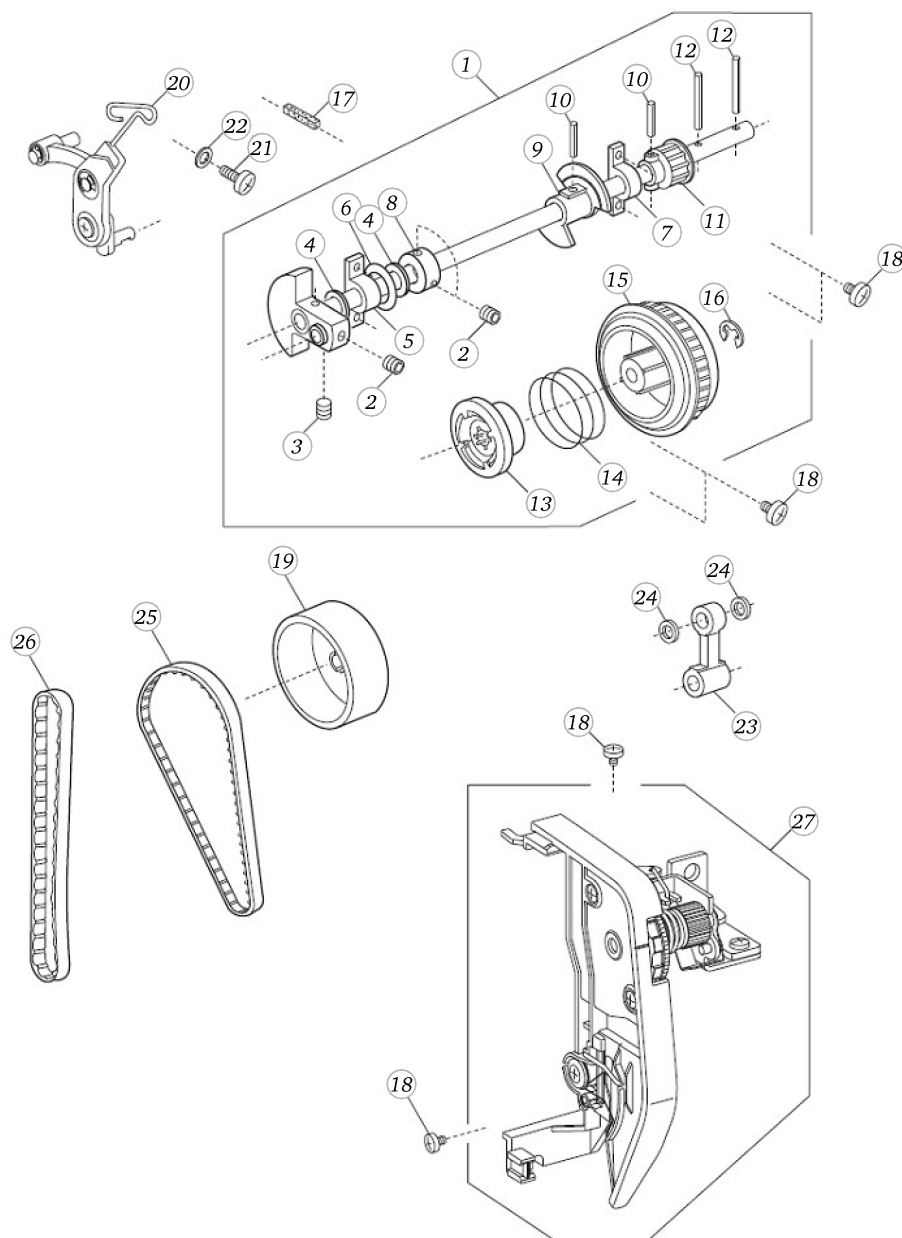


Spare Parts

b37

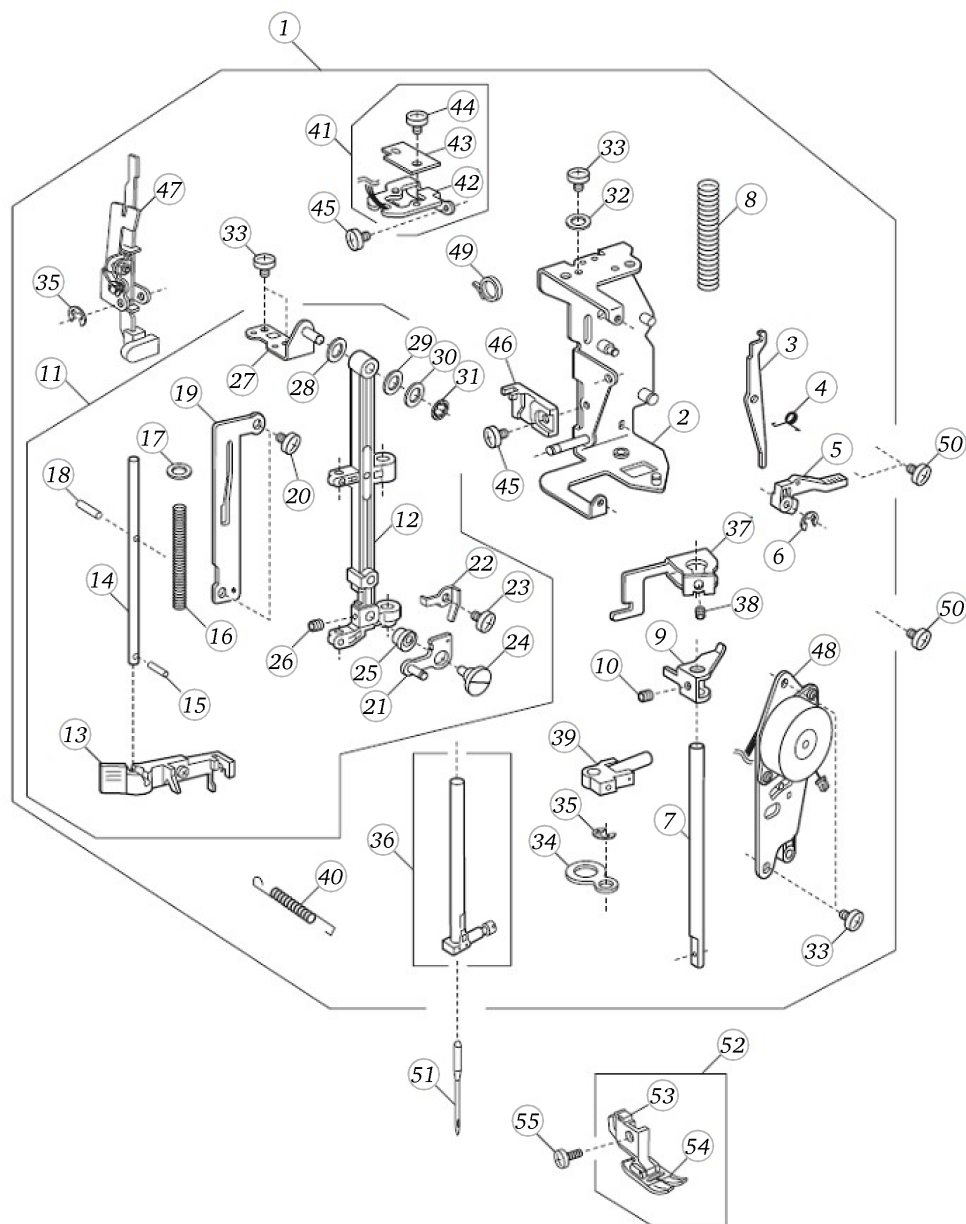
b37

Upper shaft



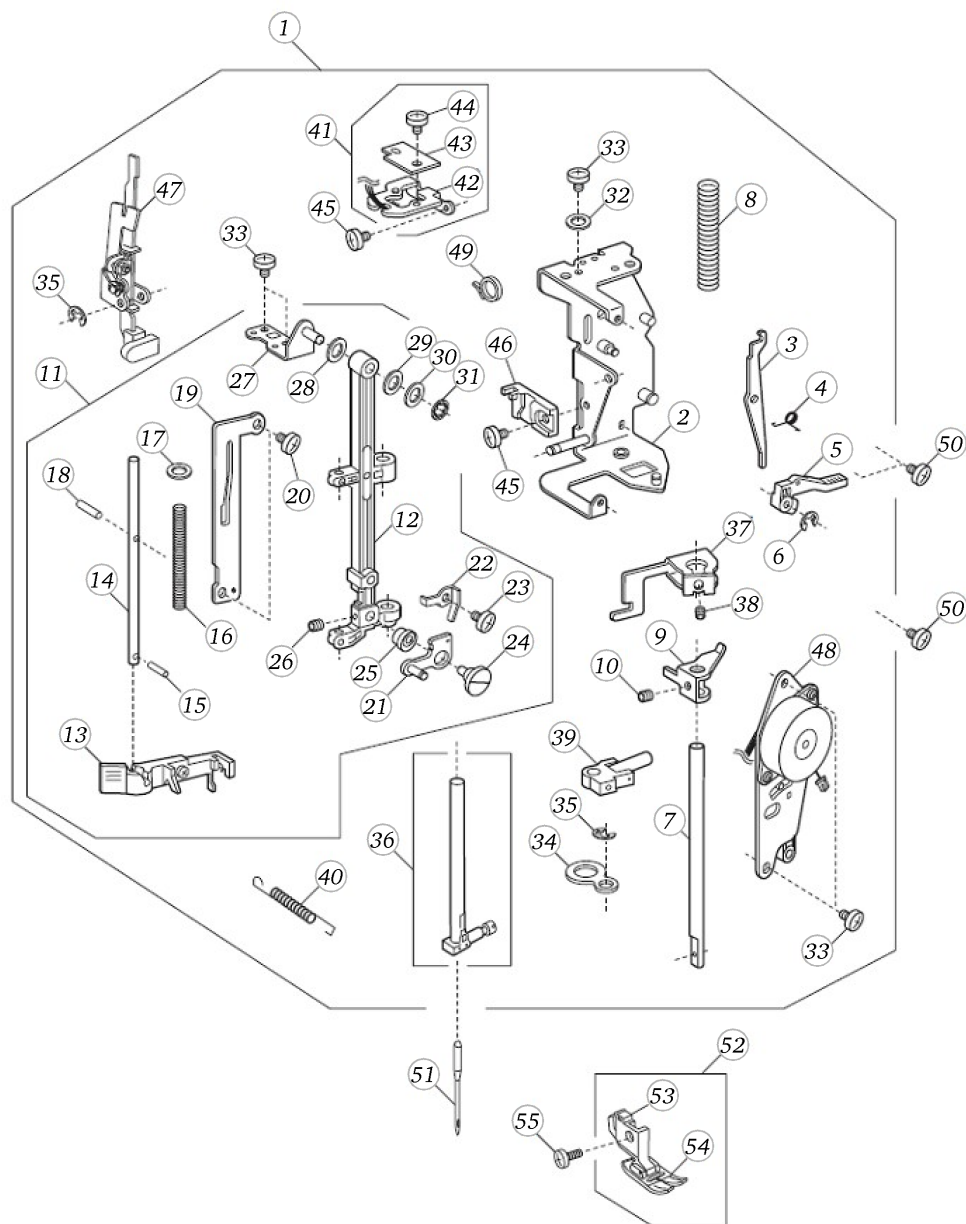
Pos	Item number	Description	Supplier Part no.
1	5020601240	UPPER SHAFT (UNIT)	808601005
2	5020600217	HEXAGON SOCKET SCREW 4x4	000111201
3	5020600931	HEXAGONAL SOCKET SCREW 4X6	000112800
4	5020600142	THRUST WASHER	000036201
5	5020601034	SHAFT FIXING METAL	508120006
6	5020601314	FELT	823110009
7	5020601028	SHAFT FIXING METAL	508054101
8	5020600255	RING	820166001
9	5020601179	UPPER SHAFT SHIELDING PLATE	808003001
10	000004200	KNOCK PIN 3x18	
11	5020601024	UPPER SHAFT GEAR	508021006
12	5020600139	SPRING PIN 3 X 30	000024206
13	5020600160	CLUTCH RING	502064003
14	5020600847	CLUTCH SPRING	661024007
15	5020601029	BELT WHEEL	508055009
16	5020600184	SNAP RING 6	000002806
17	5020600237	Felt	650040005
18	5020600146	SET SCREW 4 X 8	000081005
19	5020601283	HANDWHEEL	809100079
20	5020601043	THREAD TAKE-UP LEVER (UNIT)	508601109
21	5020600149	SETSCREW 4X10	000103509
22	5020600918	WASHER 4	000072302
23	5020601180	NEEDLE BAR CRANK ROD	808005003
24	5020600907	WASHER FT60	000036005
25	5020601191	TIMING-BELT-120	808021108
25	5020601474	TIMING BELT	808021005
26	5020601194	SYNCRO BELT S5M	808037004
27	5020601239	THREAD TENSION (UNIT)	808544009

Needle bar and presser foot



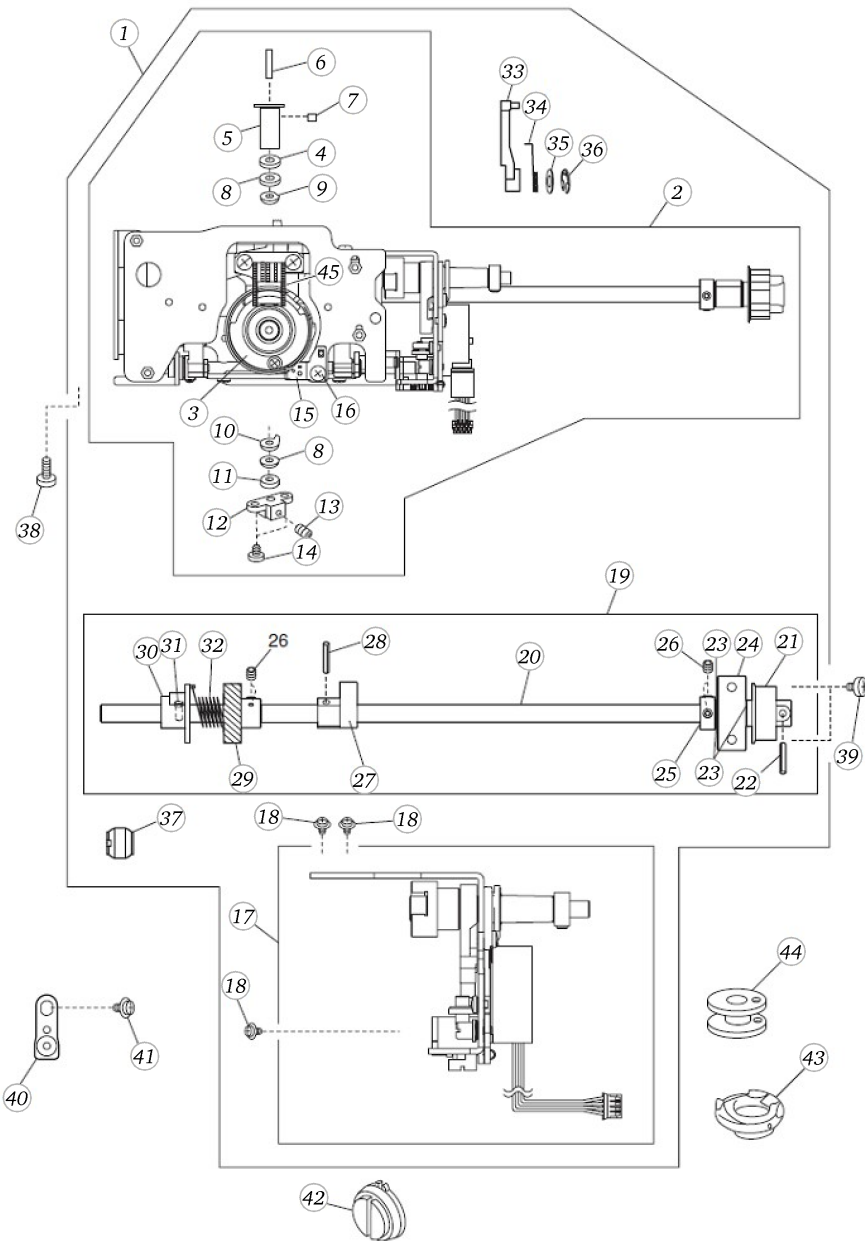
Pos	Item number	Description	Supplier Part no.
1	5020601254	PRESSER BAR BASE PLATE	808628101
2	5020601181	PRESSER BAR BASE PLATE	808006004
3	5020601183	THREAD TENSION RELEASE LEVER	808007005
4	5020601022	THREAD TENSION RELEASE SPRING	503041007
5	5020601020	PRESSER FOOT LIFTER	502024001
6	5020600192	SNAP RING 5	000002507
7	5020601023	PRESSER BAR	508002104
8	5020601025	PRESSER BAR SPRING	508038006
9	5020601026	PRESSER BAR SUPPORTER	508039007
10	5020600219	HEXAGON SOCKET SCREW 4x8	000111500
11	5020601251	NEEDLE BAR SUPPORTER (UNIT)	808624004
12	5020601185	NEEDLE BAR SUPPORTER	808008109
13	5020601059	THREADER PLATE (UNIT)	639643102
14	5020601326	THREADER SHAFT	840036003
15	5020600193	SPRING PIN 2x8	000003508
16	5020601319	THREADER SHAFT SPRING	827091005
17	5020601090	WASHER	734107004
18	5020600937	GUIDE PIN E-2X14-CH	000122906
19	5020601070	THREADER GUIDE PLATE	653036029
20	5020600145	SETSCREW 3 X 6	000078319
21	5020601189	ZIGZAG WIDTH ROD	808015006
22	5020601318	ZIGZAG WIDTH ROD SPRING	827088009
23	5020601311	SETSCREW 2X3	820373003
24	5020601077	ECCENTRIC PIN	678084007
25	5020601202	WASHER	808074003
26	5020600929	HEXAGONAL SOCKET SCREW 3X4	000111902
27	5020601186	SUPPORTER ADJUSTING PLATE	808009007
28	5020600908	WASHER FT60	000036500
29	5020601076	SPRING WASHER	673022002
30	5020600915	WASHER 6	000070609
31	5020600195	SNAP RING cs-5	000013903
32	5020600917	WASHER 5	000072003
33	5020600205	SET SCREW 4x6	000101404
34	5020601187	SUPPORTER GUIDE PLATE	808010001

Needle bar and presser foot



Pos	Item number	Description	Supplier Part no.
35	000002105	SNAP RING E3	
36	5020601044	NEEDLE BAR (UNIT)	508607105
37	5020601188	THREADER POSITION SET PLATE	808011002
38	5020600947	HEXAGONAL SOCKET SCREW 4X4	000177205
39	5020601040	NEEDLE BAR CONNECTIN	508509003
40	5020601175	NEEDLE BAR SUPPORTER SPRING	756063005
41	5020601245	BUTTONHOLE SENSOR (UNIT)	808606000
42	5020601338	SENSOR SET PLATE	845002005
43	5020601334	PRINTED CIRCUIT BOARD E1 (UNIT)	843502602
44	5020600147	SETSCREW 3 X 4	000101105
45	5020600213	SET SCREW 3x5	000103808
46	5020601322	BUTTONHOLE LEVER GUIDE	830057021
47	5020601335	BUTTONHOLE LEVER (UNIT)	843625004
48	5020601243	ZIGZAG WIDTH MOTOR (UNIT)	808605607
49	5020600200	Wire tie band	000053008
50	5020600146	SET SCREW 4 X 8	000081005
51	5020600955	NEEDLE	102408089
52	5020601072	PRESSER FOOT (UNIT)	660509008
53	5020601074	PRESSER FOOT HOLDER	660806008
53	5020601496	Presser foot holder	660806019
54	5020601409	Zigzag foot packed	202333007
55	5020601071	SETSCREW	660106001

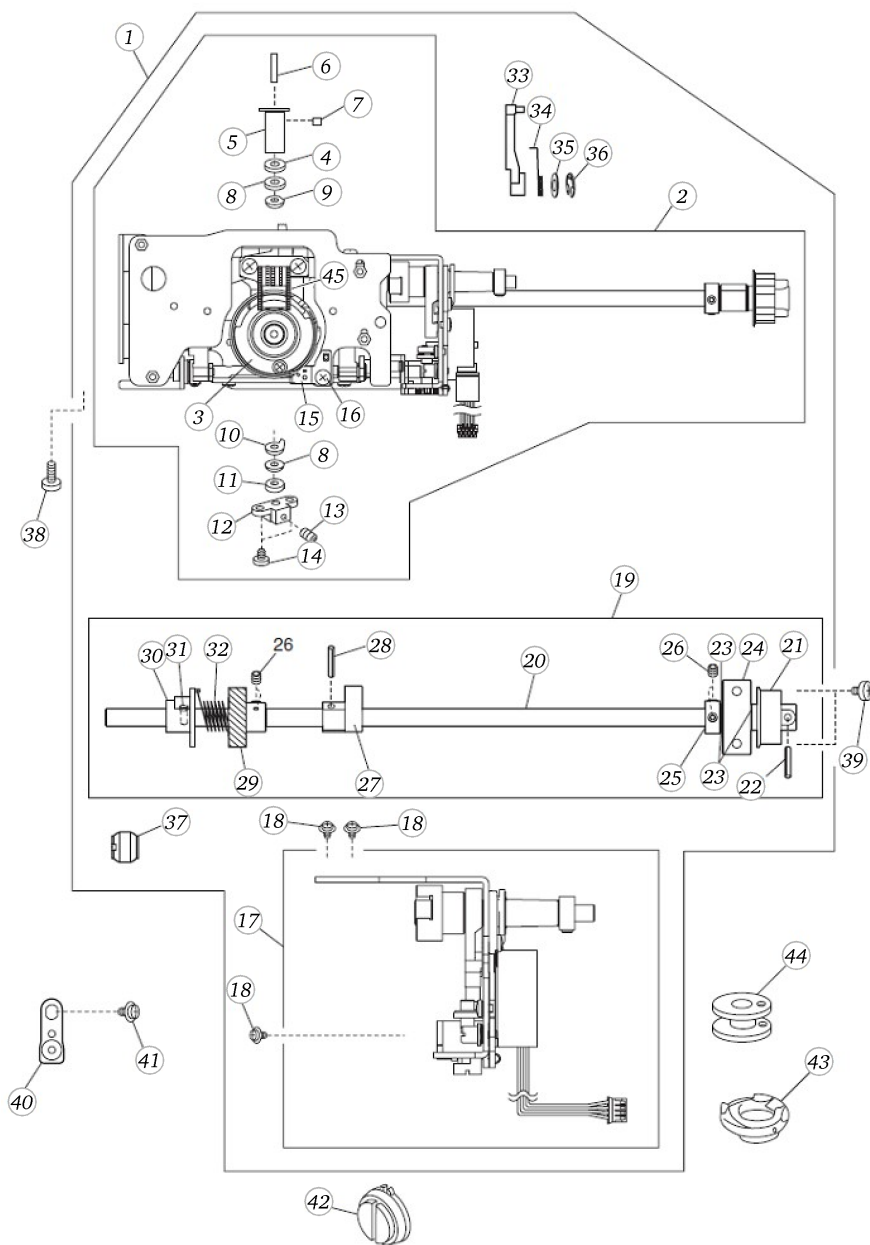
Lower shaft



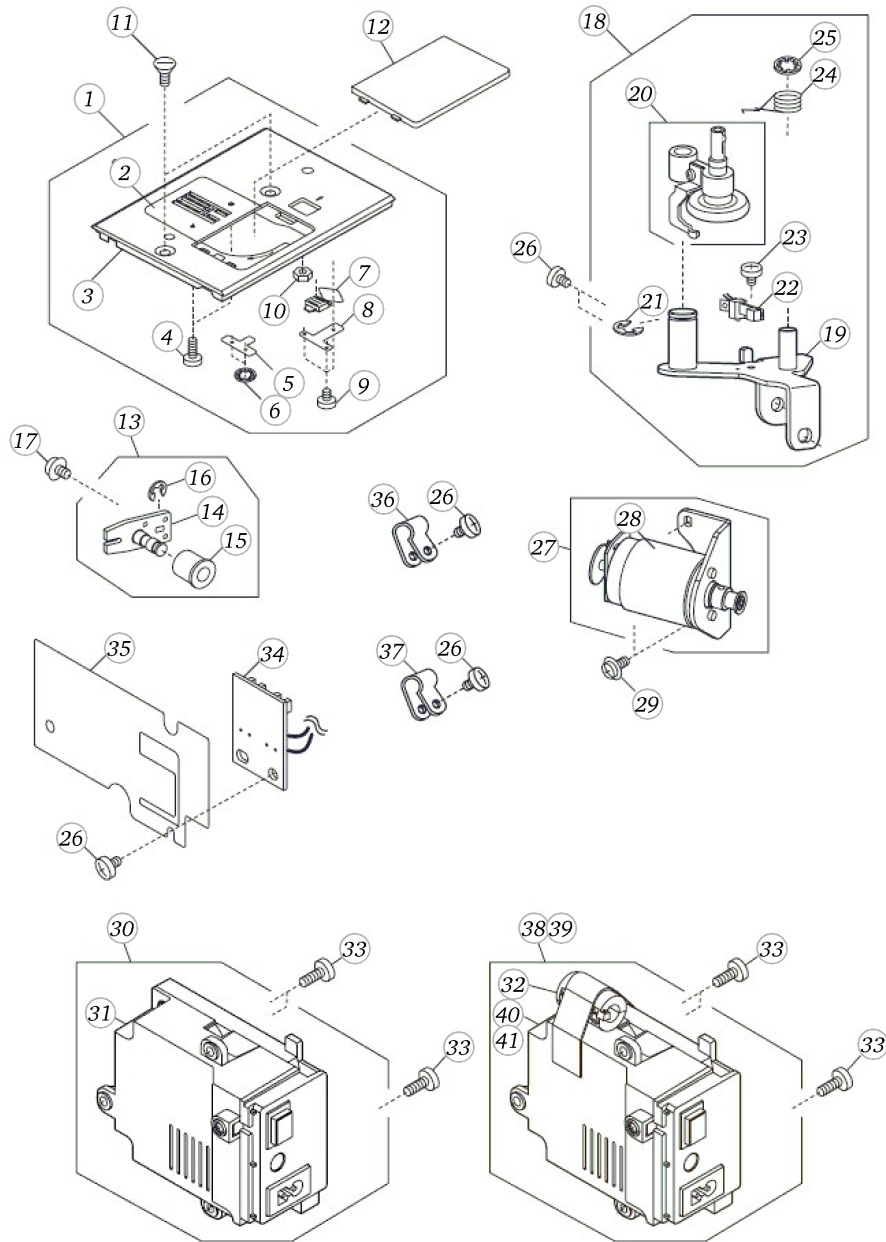
Pos	Item number	Description	Supplier Part no.
1	5020601306	HOOK RACE (WHOLE UNIT)	811607300
2	5020601307	HOOK RACE (UNIT)	811608105
3	5020601073	HOOK BODY (UNIT)	660536004
4	5020601033	WASHER	508118001
5	5020600252	HOOK DRIVER SHAFT	820123006
6	5020600253	OIL WICK (1)	820124007
7	5020600254	HOOK SHAFT OIL FELT 2	820125008
8	5020600271	WASHER	000038409
9	5020601037	MAGNET SET PLATE	508139008
10	5020600234	Hook shaft washer (1)	627192001
11	5020600231	Plain washer	625102008
12	5020601030	HOOK RACE SHAFT BASE	508072002
13	5020600218	HEXAGON SOCKET SCREW 5x5	000111304
14	5020600212	Set screw 4x5	000103705
15	5020601050	BOBBIN HOLDER STOPPER (UNIT)	627567104
16	5020601305	SETSCREW	810220003
17	5020601297	FEED REGULATOR (UNIT)	809607200
18	5020600153	SETSCREW 4 X 6	000115205
19	5020601308	LOWER SHAFT (UNIT)	811610007
20	5020601192	LOWER SHAFT	808027300
21	5020601024	UPPER SHAFT GEAR	508021006
22	000004200	KNOCK PIN 3x18	
23	5020600272	WASHER 8x0.5	000038502
24	5020601027	SHAFT FIXING METAL	508054008
25	5020600255	RING	820166001
26	5020600217	HEXAGON SOCKET SCREW 4x4	000111201
27	5020601269	FEED CAM	809014008
28	5020600899	SPRING PIN 3X12	000005407
29	5020601214	LOWER SHAFT GEAR	808137005
30	5020601172	FEED LIFTING CAM	753183025
31	5020601309	FEED LIFTING PIN	820161006
32	5020601079	FEED LIFTING CAM SPRING	686035008
33	5020601268	FEED FORK	809013007
34	5020601270	FEED FORK SPRING	809015009

b37

Lower shaft



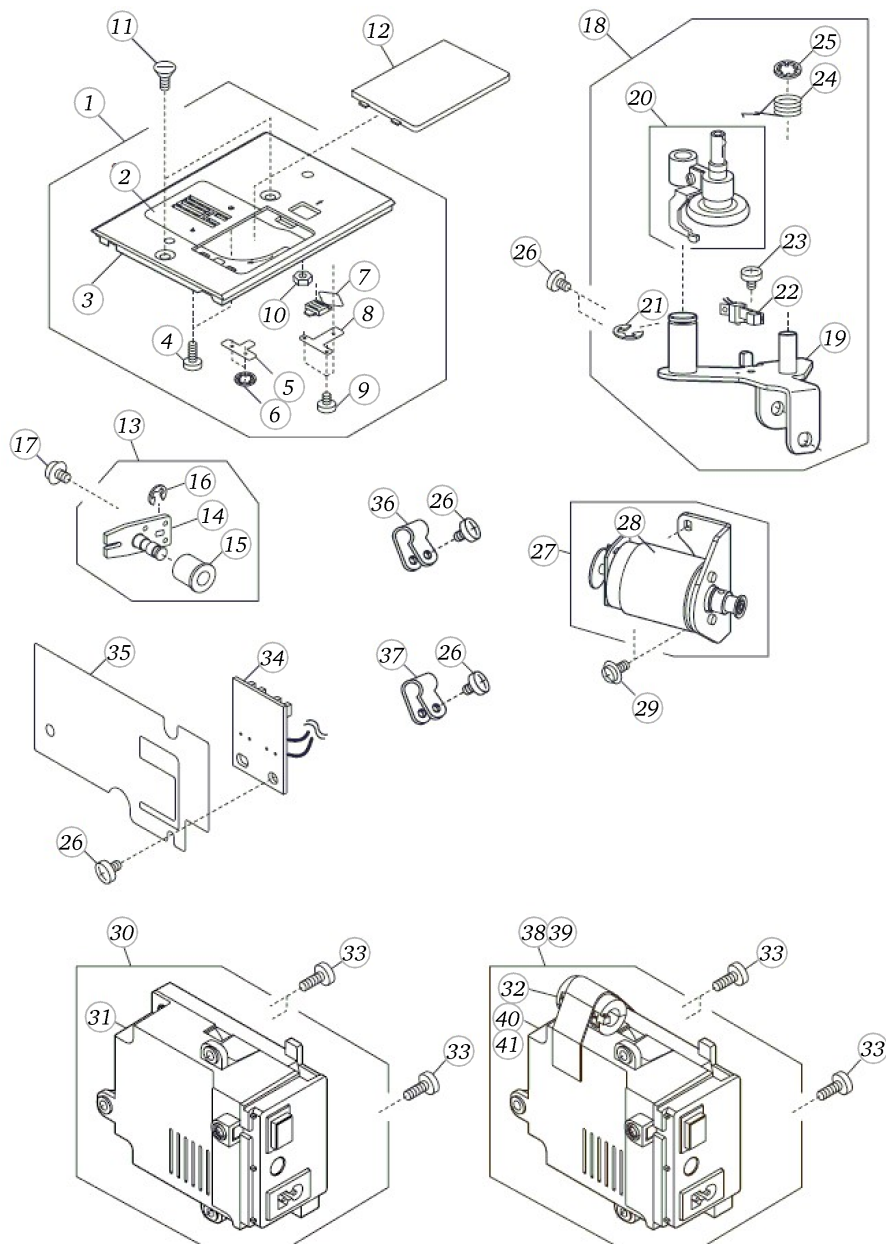
Pos	Item number	Description	Supplier Part no.
35	5020600916	PLAIN WASHER 5	000071105
36	5020600138	SNAP RING E-4	000002507
37	5020601088	LOWER SHAFT BUSHING (REAR)	732034003
38	5020600207	SET SCREW 4x12	000101703
39	5020600146	SET SCREW 4 X 8	000081005
40	5020601278	LOWER SHAFT BUSHING SET PLATE	809042005
41	5020600154	SETSCREW TP 4 X 8	000115607
42	5020601281	FEEDBALANCING DIAL 2	809053010
43	5020601051	BOBBIN HOLDER (UNIT)	627569601
44	5020600026	BOBBIN	102261103
45	5020601427	FEED DOG	809149003



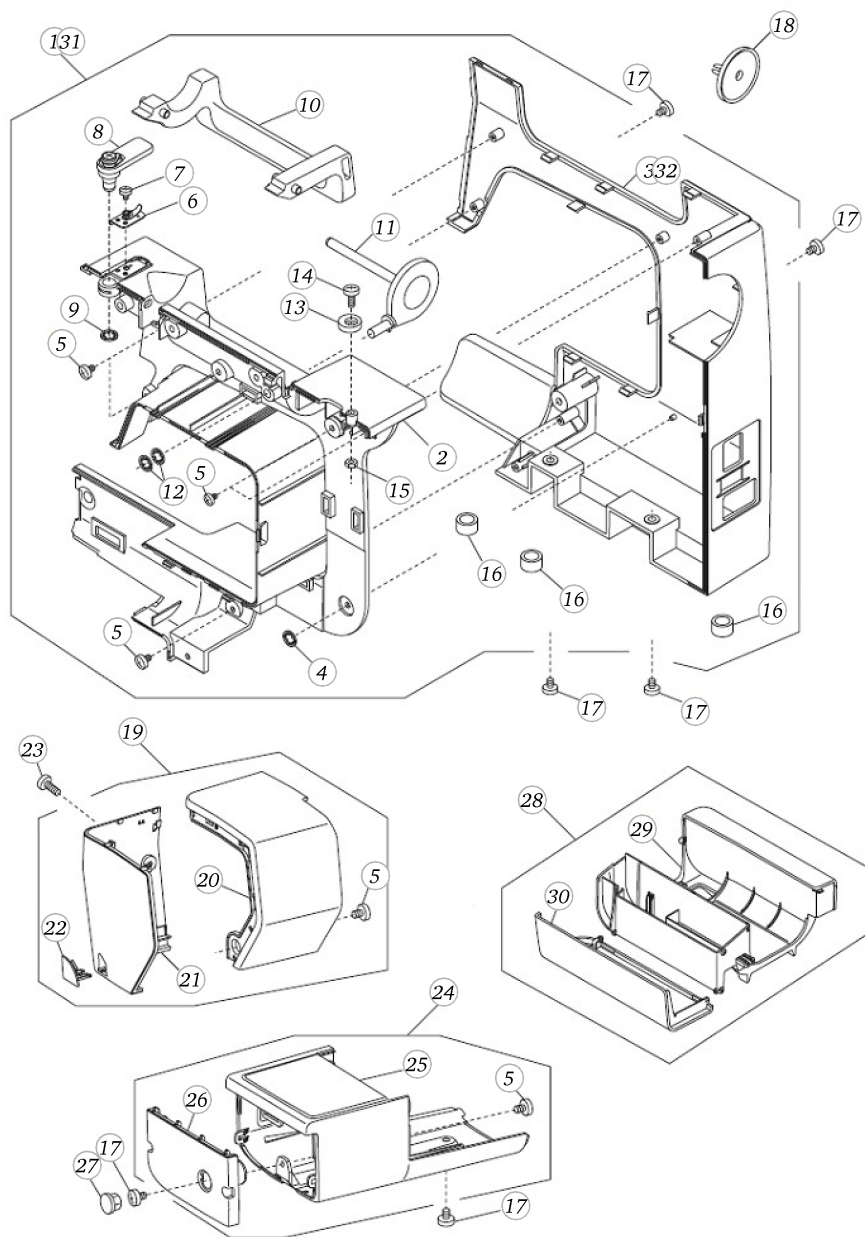
Pos	Item number	Description	Supplier Part no.
1	5020601252	NEEDLE PLATE (UNIT)	808626006
2	5020601200	NEEDLE PLATE	808067003
3	5020601201	SUPPORT NEEDLE PLATE	808068004
4	5020600945	SETSCREW 2X3.5	000163703
5	5020601018	SPRING	502015009
6	5020600903	SNAP RING SC-2.4	000015503
7	5020601019	HOOK COVER PLATE RELEASE	502016000
8	5020601021	SUPPORTER PLATE	502202005
9	5020600939	SETSCREW 1.7X2.5 (B)	000130206
10	5020601032	NUT	508116009
11	5020600171	SET SCREW	820390109
12	5020600507	HOOK COVER PLATE	846271103
13	5020601248	IDLER (UNIT)	808614001
14	5020601195	IDLER SET PLATE	808038005
15	5020600232	Idler	625217100
16	5020600184	SNAP RING 6	000002806
17	5020600154	SETSCREW TP 4 X 8	000115607
18	5020601253	BOBBIN WINDER (UNIT)	808627007
19	5020601196	BOBBIN WINDER SET PLATE	808039006
20	5020601045	BOBBIN WINDER ARM (UNIT)	508629000
21	5020600192	SNAP RING 5	000002507
22	5020601342	SWITCH (UNIT)	856512100
23	5020600921	SETSCREW 2.5X5	000081706
24	5020601198	SPRING	808040000
25	5020600195	SNAP RING cs-5	000013903
26	5020600146	SET SCREW 4 X 8	000081005
27	5020601250	DC MOTOR (UNIT)	808617004
28	5020601233	DC MOTOR (UNIT)	808502005
29	5020600934	SETSCREW TP 4X10	000115700
30	5020601258	SWITCHING REGULATOR (UNIT) 110-120V	808657202
31	5020601237	SWITCHING REGULATOR 110-120V	808525303
32	808123008	FERRITE CORE	
33	5020600149	SETSCREW 4X10	000103509
34	5020601234	PRINTED CIRCUIT BOARD P (UNIT)	808504007

b37

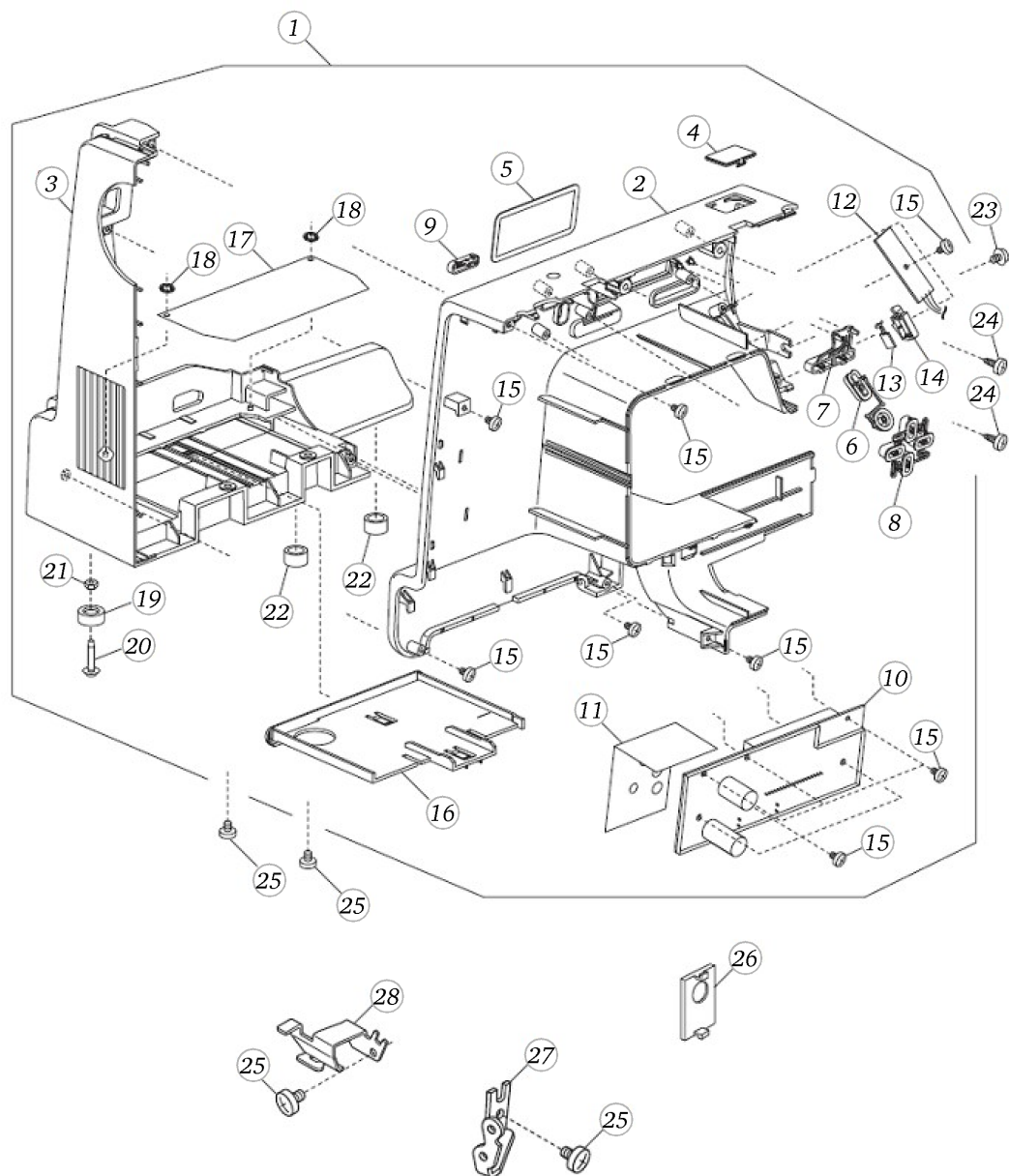
Bobbinwinder



Pos	Item number	Description	Supplier Part no.
35	5020601210	CORD GUIDE	808093101
36	5020600948	NYLON CLIP ACC-1.5	000188209
37	000188405	NYLON CLIP ACC-2	
38	5020601393	SWITCH REGULATOR (UNIT) 220-240V	808668000
38	5020601478	SWITCHING REGULATOR (UNIT) 220-240V	808668402
39	5020601394	SWITCH REGULATOR (UNIT) 240 C-TIC	808668103
40	5020601395	SWITCH REGULATOR 220-240V	808545000
41	5020601396	SWITCH REGULATOR 240V C-TIC	808545103



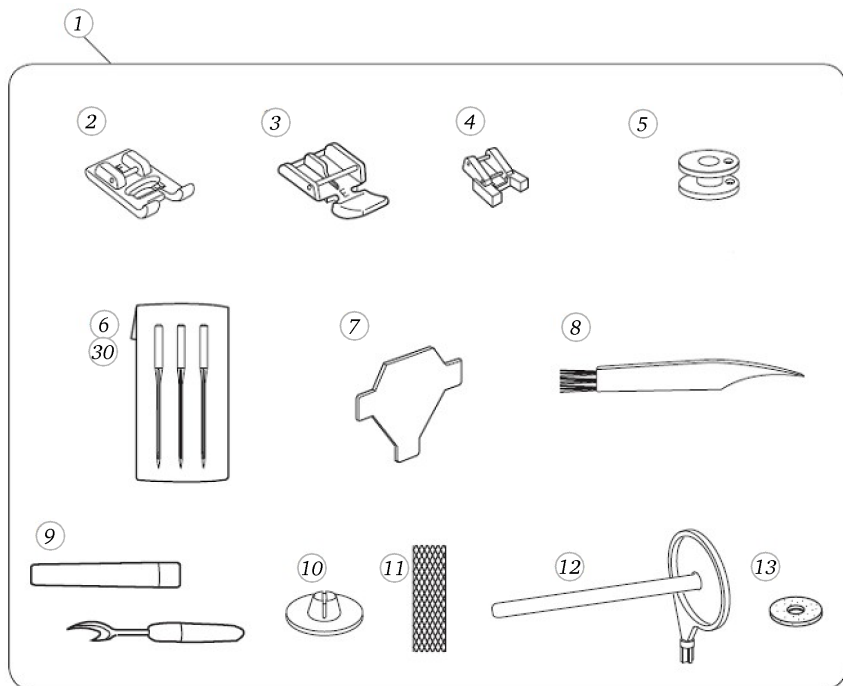
Pos	Item number	Description	Supplier Part no.
1	5020601262	REAR COVER (UNIT)	808665007
2	5020601217	REAR COVER 1	808155A01
3	5020601218	REAR COVER 2	808156000
4	5020600196	SNAP RING cs-3	000014306
5	5020600155	SETSCREW 3 X 8	000120203
6	5020601320	TOP COVER THREAD GUIDE (U	827503108
7	5020600227	Set screw 2.6x5b	000162001
8	5020601259	THREAD GUIDE (UNIT)	808662004
9	5020600902	SNAP RING CS-8	000014409
10	5020601226	CARRYING HANDLE	808165002
11	5020601275	SPOOL PIN	809027107
12	5020600900	SNAP RING CS-6	000013800
13	5020601093	BOBBIN WINDER STOPPER	735016400
14	5020600208	Set screw 4x16	000101828
15	5020600143	NUT	000061205
16	5020601138	BED RUBBER CUSHION	739064003
17	5020600146	SET SCREW 4 X 8	000081005
18	5020600028	LARGE SPOOL HOLDER	822020606
19	5020601263	FACE PLATE (UNIT)	808666008
20	5020601221	FACE PLATE 1	808160A01
21	5020601223	FACE PLATE 2	808161A01
22	5020601341	THREAD CUTTER (UNIT)	854501100
23	5020600150	SETSCREW 4 X 20	000104108
24	5020601261	FREE ARM COVER (UNIT)	808664006
25	5020601224	FREE ARM COVER 1	808162009
26	5020601225	FREE ARM COVER 2	808163000
27	5020601167	CAP	745033068
28	5020601265	EXTENSION TABLE (UNIT)	808667009
28	5020601477	EXTENSION TABLE UNIT	808548003
29	5020601219	EXTENSION TABLE 1	808157001
30	5020601220	EXTENSION TABLE LID	808159A01
31	5020601401	REAR COVER (UNIT) 220-240V	808665100
32	5020601400	REAR COVER 2 220-240V	808156011



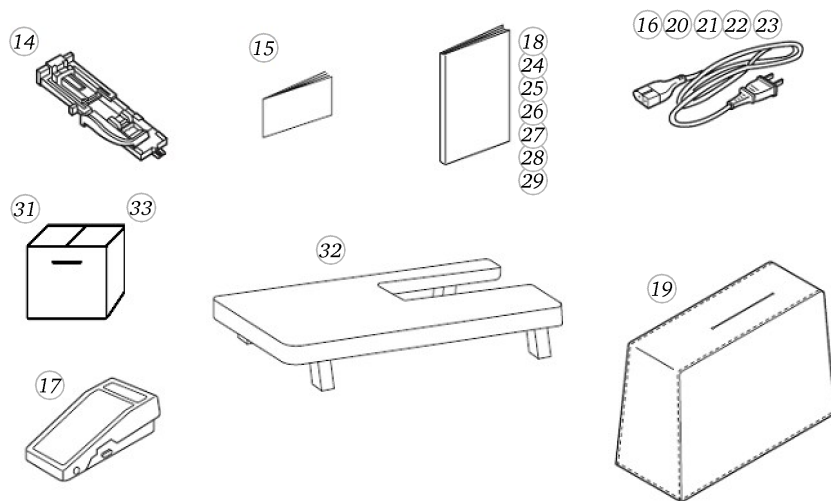
Pos	Item number	Description	Supplier Part no.
1	5020601260	FRONT COVER (UNIT)	808663005
2	5020601215	FRONT COVER 1	808153A01
3	5020601216	FRONT COVER 2	808154008
4	5020601285	FRONT COVER LID	809119107
5	5020601209	PANEL	808086A11
6	5020601227	BUTTON 1	808166A01
7	5020601228	BUTTON 2	808167A01
8	5020601229	BUTTON 3	808168A01
9	5020601230	SLIDE VOLUME	808169A01
10	5020601402	PCB-A (UNIT)	808542007
10	5020601492	PCB A (UNIT)	808424116
11	5020601213	FLAME RETARDANT INSULATING PA	808121006
12	5020601236	PRINTED CIRCUIT BOARD F (UNIT)	808507000
13	5020601235	PRINTED CIRCUIT BOARD L (UNIT)	808506009
14	5020601199	LAMP HOLDER	808057000
15	5020600155	SETSCREW 3 X 8	000120203
16	5020601231	QUICK CHART DRAWER	808171001
17	5020601232	DUST COVER SHEET	808173003
18	5020600196	SNAP RING cs-3	000014306
19	5020601052	RUBBER FOOT	639005003
20	5020600950	SETSCREW 4X20	000201405
21	5020600942	ADJUSTABLE LOCK NUT 4	160102
22	5020601138	BED RUBBER CUSHION	739064003
23	5020600153	SETSCREW 4 X 6	000115205
24	5020600943	SETSCREW 4X16 (B)	000160401
25	5020600146	SET SCREW 4 X 8	000081005
26	5020601276	CAP	809039205
27	5020601055	FRONT COVER SET PLATE	639080002
28	5020601190	ARM THREAD GUIDE	808016007

b37

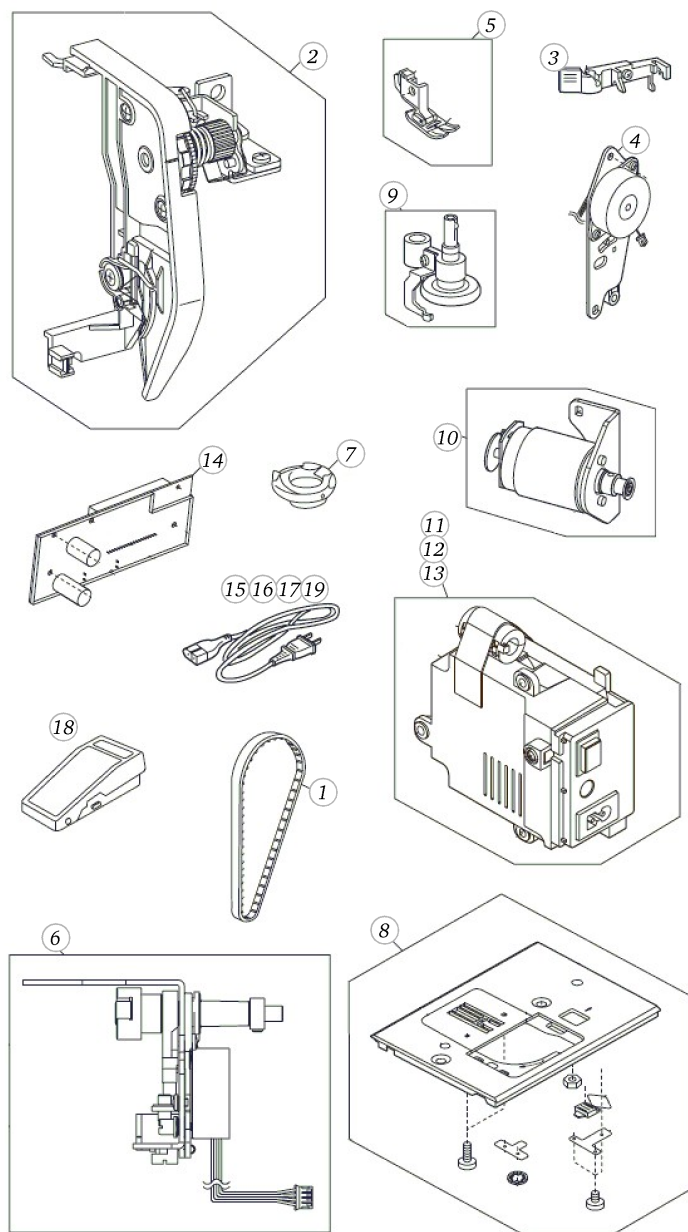
Accessories



Pos	Item number	Description	Supplier Part no.
1	5020601267	ATTACHMENT (UNIT)	808870270
2	5020601378	Embroidery foot w	202365008
3	5020601361	Zipper foot packed	202348005
4	5020601357	Button-sew-on foot packed	202344001
5	5020600026	BOBBIN	102261103
6	0027217000	NEEDLE ASSORTMENT 5 NEEDLES	
7	5020600166	SCREWDRIVER	653802002
8	5020600170	LINT BRUSH	802424004
9	5020601065	SEAM RIPPER (BUTTONHOLE OPENER)	647808009
10	5020600066	SPOOL PIN HOLDER SMALL	822019602
11	5020600543	NET	624806006
12	5020601277	SPOOL PIN	809041107
13	5020600157	FELT	102403109
14	5020601355	Buttonhole foot with slide p	202342009
15	5020600880	QUICK CHART	808833008
16	5020600889	Kabel b37/b38 US	856519004
17	5020600890	Fussanlasser b37/b38	C-1036
18	5060007.0.04	INSTRUCTION MANUAL b37 (ENGLISH)	
19	5020601406	COVER	741811000
20	5020600461	POWER SUPPLY CORD (CE 220-240V)	830335004
21	5020600265	POWER CORD NZ (C-tic 240V)	830314018
22	5020600897	Kabel b37/b38 GB	830377008
23	5020600898	Kabel b37/b38 JP	806513003
24	5060007.0.01	INSTRUCTION MANUAL b37 (GERMAN)	
25	5060007.0.05	INSTRUCTION MANUAL b37 (DUTCH)	
26	5060007.0.03	INSTRUCTION MANUAL b37 (ITALIAN)	
27	5060007.0.02	INSTRUCTION MANUAL b37 (FRENCH)	
28	5060007.0.18	INSTRUCTION MANUAL b37 (RUSSIAN)	
29	5060007.0.11	INSTRUCTION MANUAL b37 (SPANISH)	
30	639804000	ASSORTED NEEDLE SET (ORGAN)	
31	5020600884	Farbkarton b37	808882035
32	5020601388	Extension table b37/b38	809404009
33	5020601440	Styrofoam b37/b38	809889552



b37



Recommended Spare Parts

Pos	Item number	Description	Supplier Part no.
4	5020604194	TIMING BELT-120	808024108
1	5020601474	TIMING BELT	808021005
2	5020601239	THREAD TENSION (UNIT)	808544009
3	5020601059	THREADER PLATE (UNIT)	639643102
4	5020601243	ZIGZAG WIDTH MOTOR (UNIT)	808605607
5	5020601072	PRESSER FOOT (UNIT)	660509008
6	5020601297	FEED REGULATOR (UNIT)	809607200
7	5020601051	BOBBIN HOLDER (UNIT)	627569601
8	5020601252	NEEDLE PLATE (UNIT)	808626006
9	5020601045	BOBBIN WINDER ARM (UNIT)	508629000
10	5020601250	DC MOTOR (UNIT)	808617004
11	5020601258	SWITCHING REGULATOR (UNIT) 110-120V	808657202
12	5020601393	SWITCH REGULATOR (UNIT) 220-240V	808668000
12	5020601478	SWITCHING REGULATOR (UNIT) 220-240V	808668402
13	5020601394	SWITCH REGULATOR (UNIT) 240 C-TIC	808668103
14	5020601402	PCB A (UNIT)	808542007
14	5020601492	PCB A (UNIT)	808424116
15	5020600889	Kabel b37/b38 US	856519004
16	5020600461	POWER SUPPLY CORD (CE 220-240V)	830335004
17	5020600265	POWER CORD NZ (C-tic 240V)	830314018
18	5020600890	Fussanlasser b37/b38	C-1036
19	5020601471	POWER SUPPLY CORD India b37/38	864100003